



1501

Four-wheel dumpers: payload < 5 t



Still more possibilities – 1501.

The 1,500 kg payload and optional swivel tipping skip enhance the range and variety of the dumper's applications. Even in very confined spaces, materials can be dumped precisely.

- High-tipping skip (1.45 m dumping height); optional swivel tipping skip, maximum payload 1,500 kg.
- Hydrostatic twin-lock four-wheel drive.
- Continuously variable speed up to 16 km/h max.
- Large service and maintenance access.
- Clearly laid out instrument panel and wide, robust leg protection.



Technical specifications

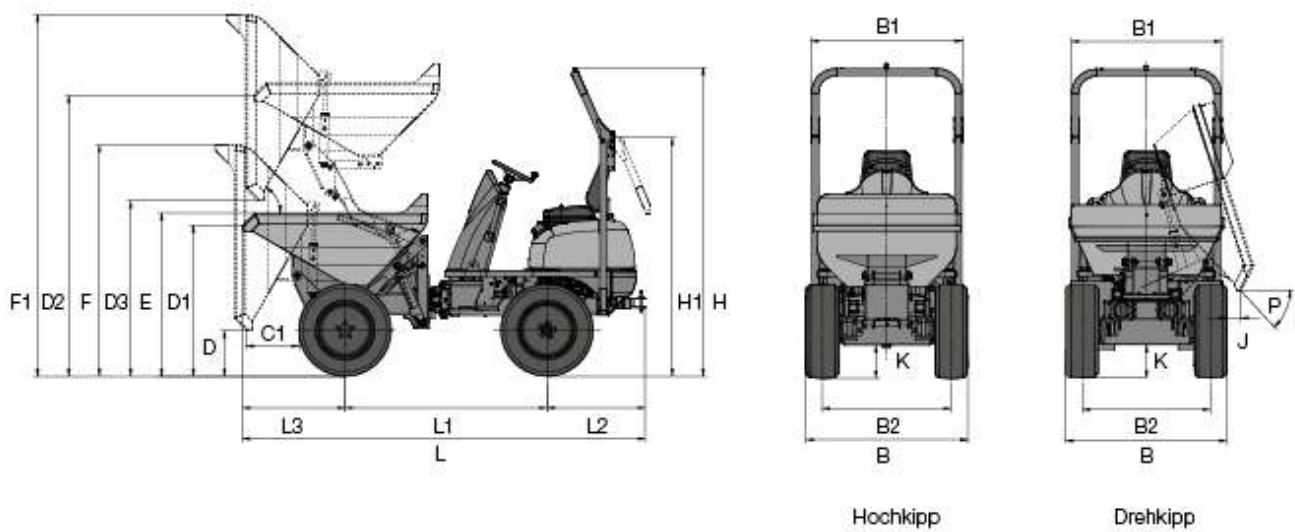
Operating data

Payload	1,500 kg
Net weight	1,320 kg
Skip capacity level	650 l
Skip capacity heaped	800 l

Engine / Motor

Engine / Motor manufacturer	Yanmar
Engine / Motor type	3TNV76
Engine / Motor	Diesel
Engine performance acc. to ISO 3046/1	17 kW
Displacement	1,116 cm ³
Travel speed	16 km/h
Articulation angle	33 °
Pendulum angle	15 °
Turning radius	3,300 mm
Gradeability	45 %
L x W x H	3,300 x 1,305 x 2,550 mm

Dimensions



B	Overall width	1,305 mm
B1	Skip width	1,200 mm
B2	Width	1,050 mm
K	Ground clearance	390 mm
D	Skip height	370 mm
D1	Skip height	1,240 mm
D2	Skip height	2,325 mm
D3	Tip-out angle	60 °
D3	Height	1,450 mm
E	Height	1,345 mm
K	Ground clearance	270 mm
L	Length	3,300 mm
L1	Wheelbase	1,650 mm



L2	Rear overhang	810 mm
L3	Curb clearance	840 mm
C1	Distance Mulde gekippt und Rad	400 mm

Please note

that product availability can vary from country to country. It is possible that information / products may not be available in your country. More detailed information on engine power can be found in the operator's manual; the stated power may vary due to specific operating conditions.

Subject to alterations and errors excepted. Applicable also to illustrations.

Copyright © 2015 Wacker Neuson SE.