



1601

Four-wheel dumpers: payload < 5 t



Three different types of skip mean even greater utility – 1601.

Even greater utility for building processes, logistics and environmental technology: The standard front-tipping skip is ideal for fast material turnover. The high-tipping skip bridges differences in height. The swivel-tipping skip with its 180-degree tilt dumps the material precisely where it is needed.

- Three different types of skip: Front-tipping skip (standard); high-tipping skip and optional swivel tipping skip, maximum payload 1,500 kg.
- Hydrostatic twin-lock all-wheel drive.
- Continuously variable speed up to 16 km/h max.
- Large service and maintenance access.
- Clearly laid out instrument panel and wide, robust leg protection.



Technical specifications

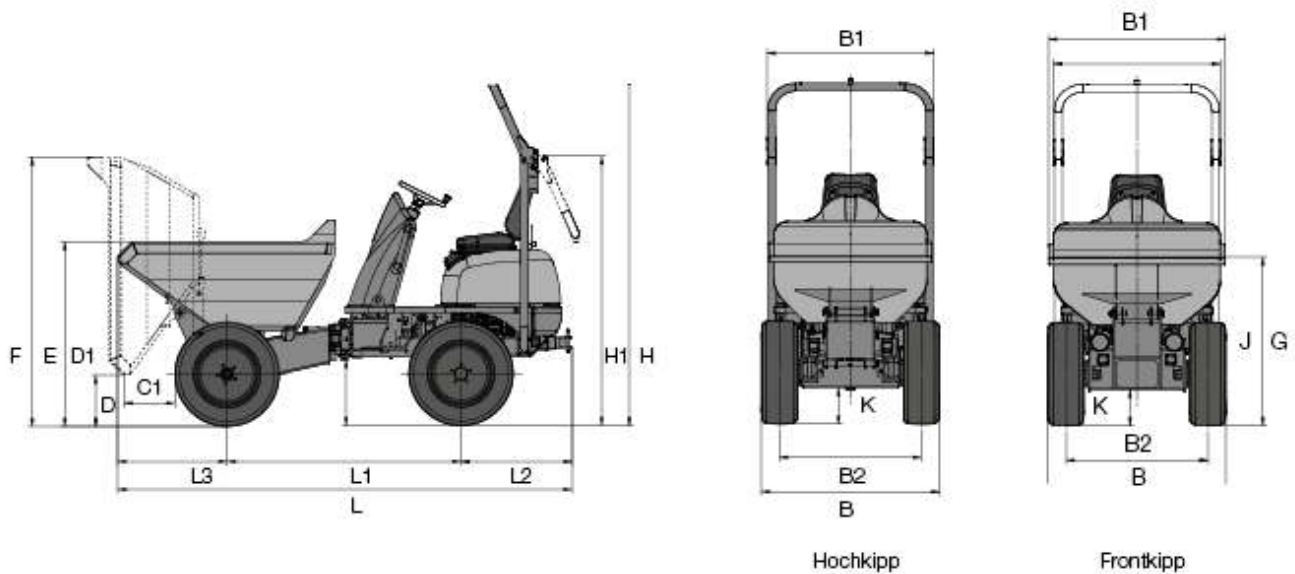
Operating data

Payload	1,500 kg
Net weight	1,261 kg
Skip capacity level	829 l
Skip capacity heaped	1,044 l

Engine / Motor

Engine / Motor manufacturer	Yanmar
Engine / Motor type	3TNV76
Engine / Motor	Diesel
Engine performance acc. to ISO 3046/1	17 kW
Displacement	1,116 cm ³
Travel speed	16 km/h
Articulation angle	33 °
Pendulum angle	15 °
Turning radius	3,300 mm
Gradeability	50 %
L x W x H	3,310 x 1,310 x 2,550 mm

Dimensions



B	Overall width	1,305 mm
B1	Skip width	1,225 mm
B2	Width	1,050 mm
D	Skip height	360 mm
F	Skip height	1,970 mm
G	Skip height	1,240 mm
H	Height	2,250 mm
E	Height	1,345 mm
K	Ground clearance	260 mm
L	Length	3,310 mm
L1	Wheelbase	1,700 mm
L2	Rear overhang	810 mm
L3	Curb clearance	800 mm



Please note

that product availability can vary from country to country. It is possible that information / products may not be available in your country. More detailed information on engine power can be found in the operator's manual; the stated power may vary due to specific operating conditions.

Subject to alterations and errors excepted. Applicable also to illustrations.

Copyright © 2015 Wacker Neuson SE.