



## 5001

Four-wheel dumpers: payload < 5 t



### The role model – 5001

5,000 kg payload, swivel-tipping skip as standard and a top speed of 25 km/h make it the role model in its class. It is always ready to lead the way with its power and exceptional agility: It finds a way even through the toughest terrain and heavily laden, thanks to its split undercarriage with center-pivot steering, thus carving a path to maximum productivity.

- Low maintenance hydrostatic four-wheel drive.
- Swivel tipping skip, up to 2,700 l skip capacity (heaped); maximum payload 5,000 kg.
- Large service and maintenance access (through hinged one-piece engine hatch).
- Center-pivot steering with integrated hose guide for optimal protection.
- A top speed of 25 km/h gets transport jobs done fast.



## Technical specifications

### Operating data

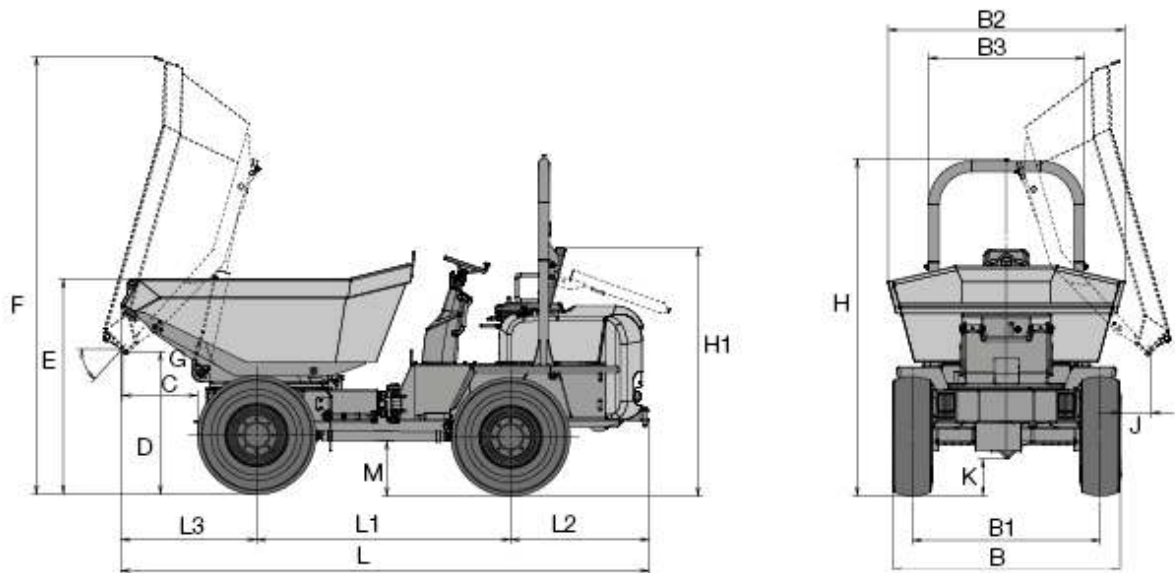
Payload	5,000 kg
Net weight	3,220 kg
Skip capacity level	2,000 l
Skip capacity heaped	2,700 l

### Engine / Motor

Engine / Motor manufacturer	Deutz
Engine / Motor type	TD2011 L04
Engine performance acc. to ISO 3046/1	47.5 kW
Displacement	3,619 cm <sup>3</sup>
Travel speed	25 km/h
Articulation angle	33 °
Pendulum angle	15 °
Turning radius	4,425 mm
Gradeability	50 %
L x W x H	4,390 x 1,990 x 2,800 mm



## Dimensions



B	Overall width	1,920 mm
B1	Skip width	1,580 mm
B2	Width	1,990 mm
D	Ground clearance	1,160 mm
E	Skip height	1,790 mm
F	Skip height	3,630 mm
G	Tip-out angle	48 °
H	Height	2,830 mm
H1	Height	2,030 mm
K	Ground clearance	290 mm
L	Length	4,390 mm
L1	Wheelbase	2,110 mm
L2	Rear overhang	1,150 mm



L3	Curb clearance	1,130 mm
J	Distance	250 mm

**Please note**

that product availability can vary from country to country. It is possible that information / products may not be available in your country. More detailed information on engine power can be found in the operator's manual; the stated power may vary due to specific operating conditions.

Subject to alterations and errors excepted. Applicable also to illustrations.

Copyright © 2015 Wacker Neuson SE.