



DW100

Four-wheel dumpers: payload > 5 t



High material handling thanks to DW100

With 10.000 kg payload the wheel dumper DW100 manages easily high volumes in extremely short periods – although in rough areas. Excellent driven, the dumper is reliable and provides a perfect overview nevertheless its big size. The professional machine for heavy loads offers much comfort like the optional cab or air condition. All together a heavyweight you can count on.

- Hydrostatic four-wheel drive
- Excellent off-road capability
- Extreme gradeability
- Available with cabin
- Wearless spring brake



Technical specifications

Operating data

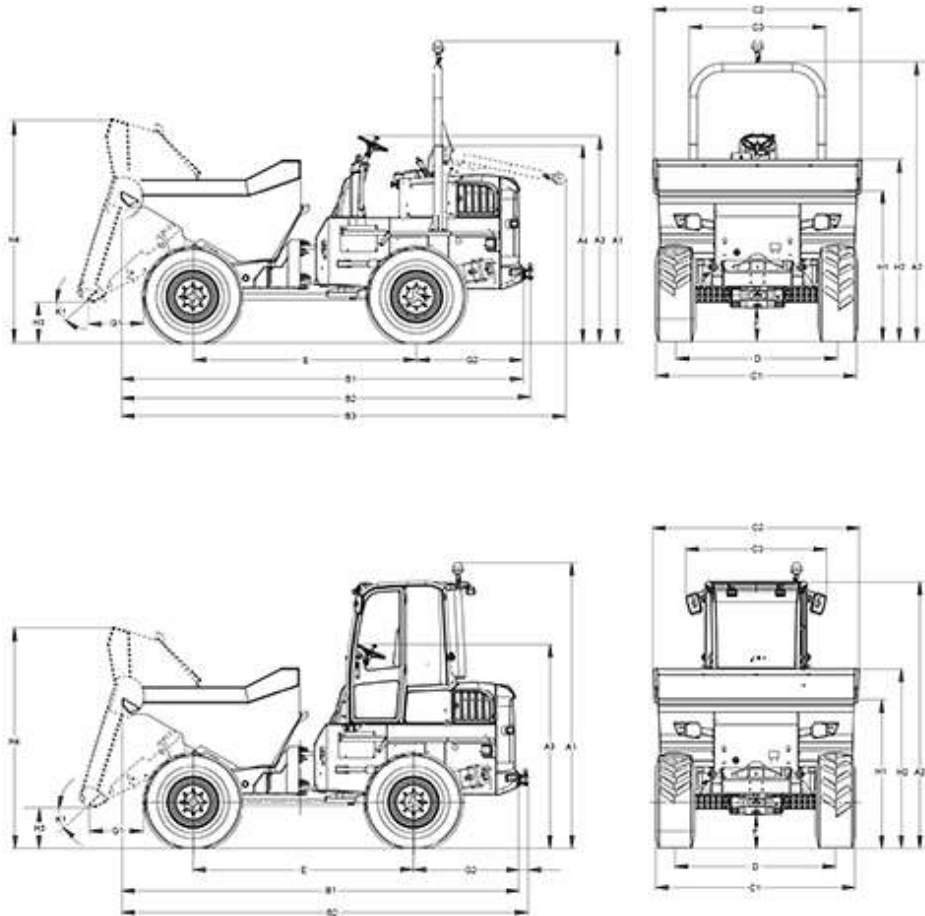
Payload	10,000 kg
Shipping weight Front tip skip ROPS	5,228 kg
Shipping weight Front tip skip cabin	5,428 kg
Skip capacity , Front skip, levelled	4,100 l
Skip capacity , Front skip, heaped	4,750 l
Skip capacity , Front skip, water level	2,400 l

Engine / Motor

Engine / Motor manufacturer	Perkins
Engine / Motor type	854E
Engine / Motor	watercooled 4cylinder turbodiesel
Engine performance acc. to ISO 3046/1	86 kW
Displacement	3,400 cm ³
Engine RPM	2,500 rpm
Emissions	Stage 3b / Tier 4 interim
Traction drive	4WD, hydrostatic
Travel speed	30 km/h
Articulation angle	28.5 °
Pendulum angle	11 °
Tires	500/60-22.5
Steering pump	Axial piston pump
Flow rate	171 l/min
Operating pressure	450 bar
Duty pump	Gear pump
Operating pressure	235 bar
Tank capacity	82.5 l
Hydraulic oil tank	55 l



Dimensions



C2	Overall width	2,491 mm
C2	Skip width	2,491 mm
C1	Width	2,463 mm
F	Ground clearance	406 mm
H2	Skip height	2,300 mm
H4	Skip height tilted	2,755 mm
K1	Tip-out angle	47 °
A1	Height total (ROPS)	3,593 mm
A3	Height tilted ROPS	2,544 mm
H3	Ground clearance Mulde gekippt	495 mm
B1	Length	4,660 mm
E	Wheelbase	2,700 mm
G2	Rear overhang	1,192 mm



G1

Distance Mulde gekippt und Rad

555 mm

Please note

that product availability can vary from country to country. It is possible that information / products may not be available in your country. More detailed information on engine power can be found in the operator's manual; the stated power may vary due to specific operating conditions.

Subject to alterations and errors excepted. Applicable also to illustrations.

Copyright © 2015 Wacker Neuson SE.