



DW90

Four-wheel dumpers: payload > 5 t



Unbeatable productivity – DW90

The wheel dumper DW90 prefers rough underground to present its advantages: hydrostatic four-wheel drive, excellent off-road capability and extreme gradeability matched with several types of skips and a wearless spring brake.

- Maintenance-free hydrostatic four-wheel drive
- Extreme gradeability
- swivel tipping skip ex-works
- Maximum payload 9,000 kg
- High comfort level: air condition optional



Technical specifications

Operating data

Payload	9,000 kg
Shipping weight Front tip skip ROPS	5,183 kg
Shipping weight Front tip skip cabin	5,383 kg
Shipping weight Swivel skip ROPS	5,611 kg
Shipping weight Swivel skip cabin	5,811 kg
Skip capacity Swivel skip, levelled	3,300 l
Skip capacity Swivel skip, heaped	4,400 l
Skip capacity Swivel skip, water level	2,060 l
Skip capacity Front skip, levelled	3,750 l
Skip capacity Front skip, heaped	4,550 l
Skip capacity Front skip, water level	2,400 l

Engine / Motor

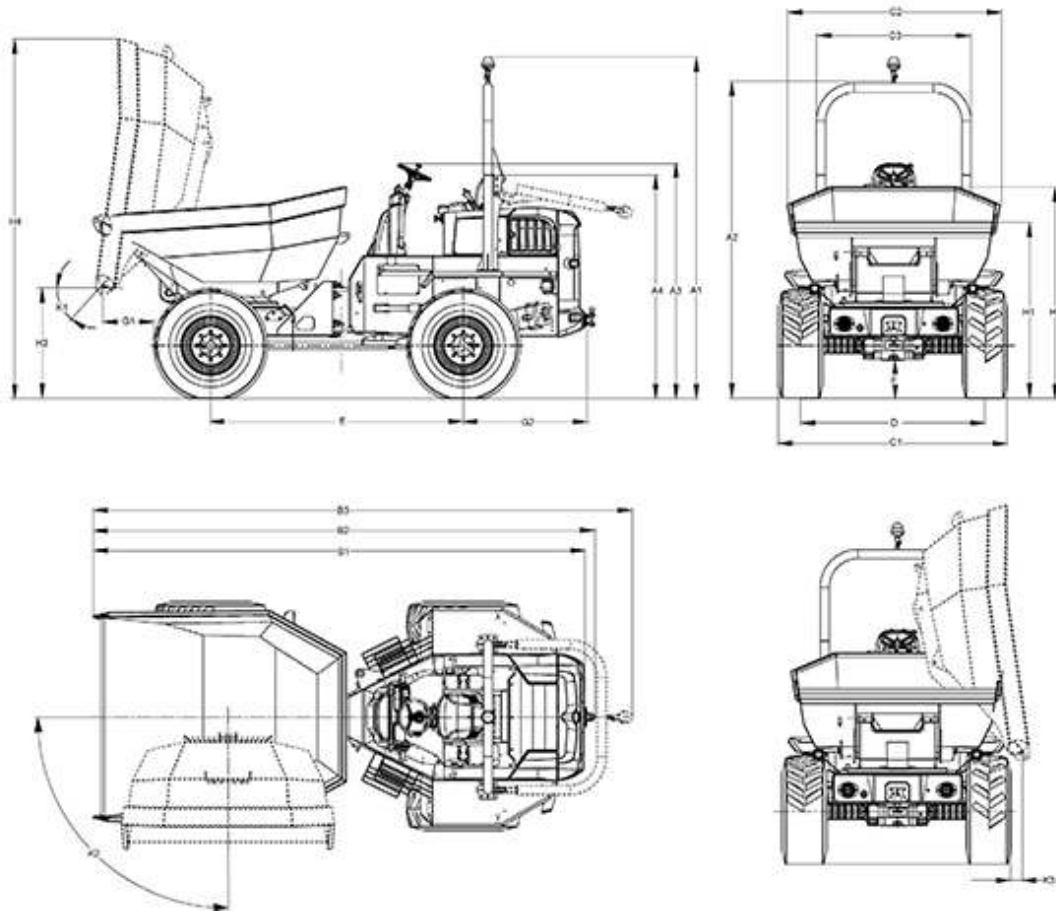
Engine / Motor manufacturer	Perkins
Engine / Motor type	854E
Engine / Motor	watercooled 4cylinder turbodiesel
Engine performance acc. to ISO 3046/1	86 kW
Displacement	3,400 cm ³
Engine RPM	2,500 rpm
Emissions	Stage 3b / Tier 4 interim
Traction drive	4WD, hydrostatic
Travel speed	30 km/h
Articulation angle	29 °
Pendulum angle	11 °
Tires	500/60-22.5
Steering pump	Axial piston pump
Flow rate	171 l/min
Operating pressure	450 bar
Duty pump	Gear pump
Operating pressure	235 bar
Tank capacity	82.5 l
Hydraulic oil tank	55 l



**WACKER
NEUSON**



Dimensions



C1	Overall width	2,463 mm
C2	Skip width swivel skip	2,273 mm
C3	Width	1,520 mm
F	Ground clearance	406 mm
H2	Skip height	2,305 mm
H4	Skip height tilted	3,867 mm
K1	Tip-out angle Frontkippmulde	40 °
A1	Height total (ROPS)	3,593 mm
A3	Height tilted ROPS	2,544 mm
B2	Length	5,185 mm
E	Wheelbase	2,700 mm
G2	Rear overhang	1,192 mm
G1	Distance Mulde gekippt und Rad	482 mm



**WACKER
NEUSON**

Please note

that product availability can vary from country to country. It is possible that information / products may not be available in your country. More detailed information on engine power can be found in the operator's manual; the stated power may vary due to specific operating conditions.

Subject to alterations and errors excepted. Applicable also to illustrations.

Copyright © 2015 Wacker Neuson SE.