



**TH 412**  
Telehandler



**Tough challenges are its specialty.**

It's impressive how much power there is packed in the TH412 compact telehandler. The TH412 Wacker Neuson telehandler is unique in its combination of high lifting height, lean width and strong machine performance. A true multi-talent for works in municipalities, factories, building yards and at construction sites.

- Equipped with the innovative VLS driver assist system (Vertical Lift System).
- Extremely small inside radius of 821 mm.
- Enormous lifting height of 4.5 m in combination with a payload of 1.2 t.
- Efficient 31 PS Yanmar engine—optional 40 PS available.
- Hydraulic quick change system for a great assortment of attachments.



## Technical specifications

### Operating data

Weight	2,530 kg
Turning radius Tires	2,607 mm

### Engine / Motor

Engine / Motor manufacturer	Yanmar
Engine performance at 3,000 rpm	22.6 kW
Engine performance at 2,800 rpm	29.6 kW

### Power transmission

Traction drive	Hydrostatic
Speed Stage 1:	0-7 km/h
Speed Stage 2:	0-20 km/h
Service brake central	Parking brake on all four wheels effective
Standard tires	10.0/75 - 15.3 AS ET-40

### Steering and operating hydraulics

Steering angle max.	2 x 38 °
Flow rate (with 22.6 kW)	42 l/min
Flow rate (with 29.6 kW)	40 l/min

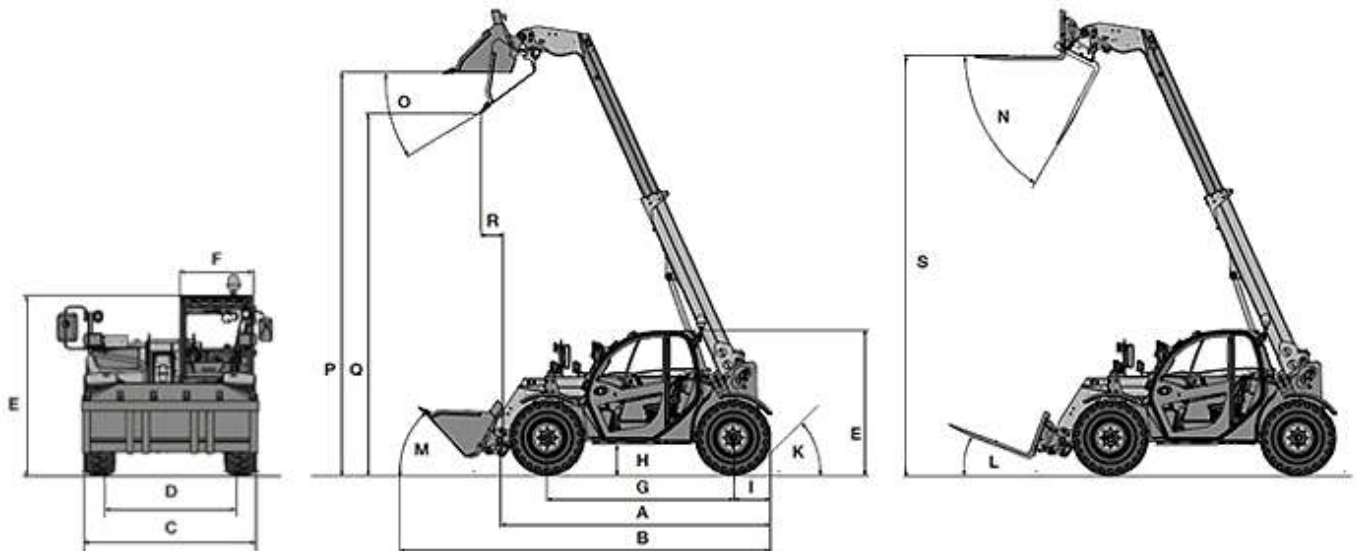
### Kinematics

Payload max.	1,200 kg
Lift height Pin height	4,503 mm
Payload at max. lift height	1,200 kg
Payload at max. span	440 kg

Standard bucket = digging bucket, 1,500 mm width



## Dimensions



A	Length incl. tool frame	2,916 mm
B	Length with standard bucket	3,879 mm
C	Width max.	1,560 mm
D	Track width	1,296 mm
E	Height	1,940 mm
F	Width cabin (inner)	662 mm
G	Wheelbase	1,920 mm
H	Ground clearance	290 mm
I	Center of rear axle to end of vehicle	391 mm
K	Rear actuation angle	32 °
L	Tilt-in angle Pallet fork below	8 °
M	Tilt-in angle Standard bucket below	44 °
N	Tip-out angle Pallet fork above	70 °



O	Tip-out angle Standard bucket above	31 °
P	Overhead loading height	4,125 mm
Q	Dumping height	3,590 mm
R	Dump reach	543 mm
S	Stack height	4,300 mm

**Please note**

that product availability can vary from country to country. It is possible that information / products may not be available in your country. More detailed information on engine power can be found in the operator's manual; the stated power may vary due to specific operating conditions. Subject to alterations and errors excepted. Applicable also to illustrations.  
Copyright © 2015 Wacker Neuson SE.