



TH 522
Telehandler



Combines power and maneuverability: TH522

The comfortable telehandler TH522 convinces with a perfect combination of powerful engine output and a high level of maneuverability. Thanks to the all-wheel steering and the compact design, the TH522 is skillfully small. Stacking and transport work can therefore be managed quickly and safely, even in a small space. Equipped with sensitive work hydraulics and a hydrostatic drive as a standard, the TH522 allows for extremely precise maneuvering.

- Innovative driver-assist system VLS (Vertical Lift System)
- Low installation height and width under 2 x 2 meters
- Small inside radius of 1,193 mm.
- Over 5 meters lifting height
- Very good view of the attachment



Technical specifications

Operating data

Weight	4,200 kg
Turning radius Tires	3,281 mm

Engine / Motor

Engine / Motor manufacturer	Perkins
Engine performance at 2,800 rpm1/min	36.3 kW
Engine performance at 2,800 rpm1/min	44.7 kW

Power transmission

Traction drive	hydrostatic
Speed Stage 1:	0-7 km/h
Speed Stage 2:	0-20 km/h
Service brake central	Parking brake on all four wheels effective
Standard tires	10.5/80-18 AS ET0

Steering and operating hydraulics

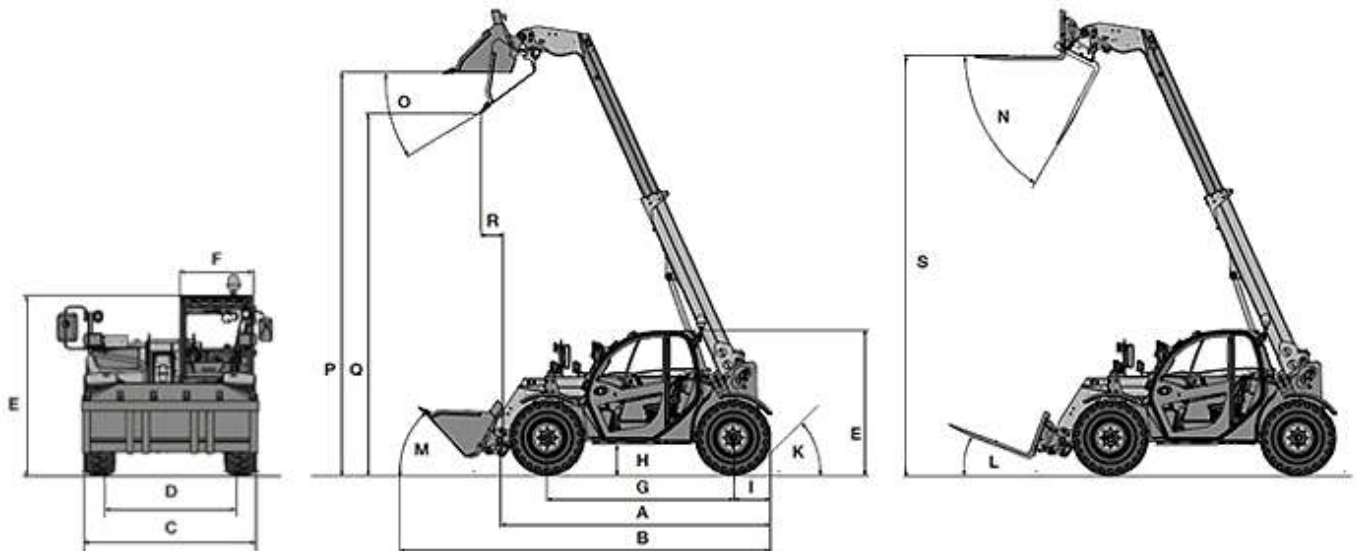
Steering angle max.	2x40 °
Flow rate	70 l/min
Flow rate optional	106 l/min

Kinematics

Payload max.	2,200 kg
Lift height Pin height	5,471 mm



Dimensions



A	Length incl. tool frame	3,747 mm
B	Length with standard bucket	4,576 mm
C	Width max.	1,808 mm
D	Track width	1,530 mm
E	Height	1,950 mm
G	Wheelbase	2,449 mm
H	Ground clearance	256 mm
M	Tilt-in angle Standard bucket below	41 °
P	Overhead loading height	5,056 mm
Q	Dumping height	4,520 mm
R	Dump reach	293 mm



**WACKER
NEUSON**

Please note

that product availability can vary from country to country. It is possible that information / products may not be available in your country. More detailed information on engine power can be found in the operator's manual; the stated power may vary due to specific operating conditions.

Subject to alterations and errors excepted. Applicable also to illustrations.

Copyright © 2015 Wacker Neuson SE.