

ET35

Tracked Conventional Tail Excavators



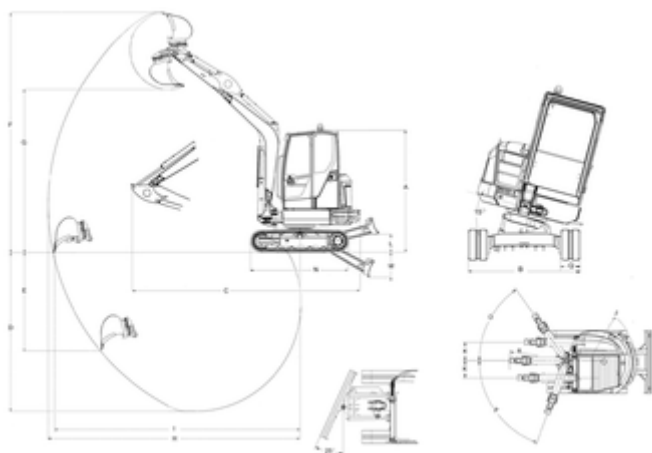
**WACKER
NEUSON**
all it takes!



ET35 Technical specifications

	ET35 - level III / Tier IVi	ET35 - Tier IV final
Operating data		
Shipping weight min. kg	3,260	3,260
Operating weight kg	3,450 - 4,361	3,450 - 4,361
Biting force max. kN	21.1	21.1
Breakout force max. kN	35	35
Digging depth max. (long dipper stick) mm	3,497	3,497
Dumping height mm	3,337 - 3,489	3,337 - 3,489
Digging radius max. (long dipper stick) mm	5,507	5,507
Superstructure slewing speed 1/min	9.5	9.5
L x W x H mm	5,268 x 1,630 x 2,491	5,268 x 1,630 x 2,491
Engine / Motor		
Engine / Motor manufacturer	Yanmar Diesel engine	Yanmar Diesel engine
Engine / Motor type	3TNV88-BPWN	3TNV88F-EPWN
Engine / Motor	Water-cooled 3-cylinder suction engine	Water-cooled 3-cylinder suction engine
Displacement cm ³	1,642	1,642
RPM / speed rpm	2,500	2,430
Engine performance POWER mode kW	22.2	18.2
Engine performance ECO mode kW		17.8
Battery Ah	71	71
Fuel tank capacity l	44	44
Voltage V	12	12
Input current A	71	71
Hydraulic system suppressing control		
Duty pump	2 axial piston pumps / 2 gear pumps	2 axial piston pumps / 2 gear pumps
Flow rate l/min	120.1	116.6
Operating pressure for working and traction hydraulics bar	240	240
Operating pressure slewing gear bar	195	195
RPM / speed superstructure rpm	9.5	9.5
Undercarriage		
Travel speed max. km/h	4.7	4.7
Chain width mm	300	300
Ground clearance mm	251	251
Dozer Blade		
Width mm	1,630	1,630
Height mm	357	357
Stroke dozer blade above ground mm	392	392
Stroke dozer blade below ground mm	505	505

ET35 Dimensions



			with option VDS
A	Height	2,491 mm	2,573 mm
B	Width	1,630 mm	1,630 mm
Q	Width undercarriage	300 mm	300 mm
C	Transport length (short DS)	5,268 mm	5,252 mm
D	Digging depth max. (short DS)	3,245 mm	3,166 mm
D	Digging depth max. (long DS)	3,497 mm	3,416 mm
E	Insertion depth max. vertical (short DS)	2,120 mm	2,042 mm
E	Insertion depth max. vertical (long DS)	2,360 mm	2,279 mm
F	Insertion height max. (short DS)	4,929 mm	5,010 mm
F	Insertion height max. (long DS)	5,082 mm	5,163 mm
G	Dump height max. (short DS)	3,337 mm	3,417 mm
G	Dump height max. (long DS)	3,489 mm	3,570 mm
H	Digging radius max. (short DS)	5,270 mm	5,270 mm
H	Digging radius max. (long DS)	5,507 mm	5,507 mm
I	Range on the ground max. (short DS)	5,158 mm	5,143 mm
I	Range on the ground max. (long DS)	5,408 mm	5,393 mm
J	Rear swivel radius	1,168 mm	1,168 mm
K	Arm displacement max. to center bucket right	476 mm	476 mm
K	Arm displacement max. to center bucket right	447 mm	447 mm
L	Lift height max. dozer blade above ground	393 mm	393 mm
M	Scraping depth max. dozer blade below ground	505 mm	505 mm
N	Length undercarriage	2,062 mm	2,062 mm
O	Turning angle max. boom to the right	55 °	55 °
P	Turning angle boom to the left	70 °	70 °

DS = dipper stick

Please note: that product availability can vary from country to country. It is possible that information / products may not be available in your country. More detailed information on engine power can be found in the operator's manual; the stated power may vary due to specific operating conditions. Subject to alterations and errors excepted. Applicable also to illustrations.
Copyright © 2019 Wacker Neuson SE.